



P-TRON 05 GM

**Metal separator for assembly in pneumatic conveying lines
in the plastic industry**

Reliable detection of all types of metal

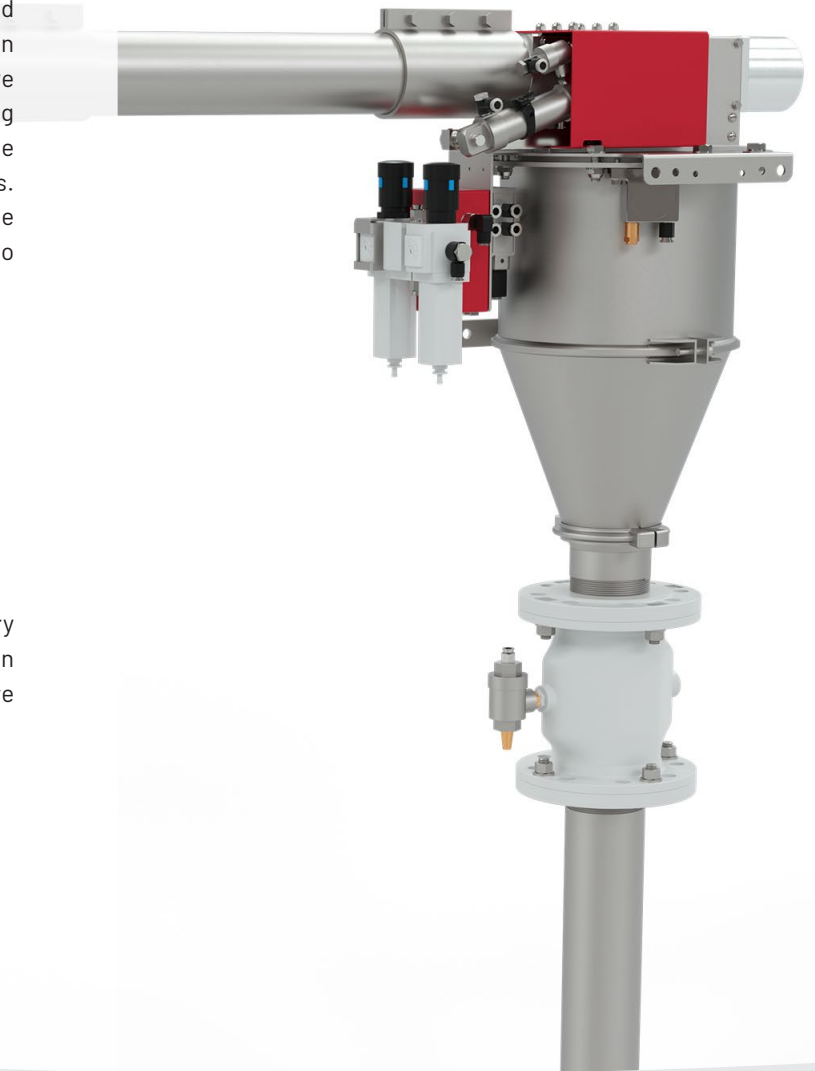
Metal detectors from Mesutronic use state-of-the-art technology to protect your production, your reputation and your customers from damage caused by metallic foreign bodies. Digital signal evaluation combined with innovative evaluation procedures, comprehensive self-monitoring and easy operation ensure the optimal functioning of the system as well as the secure passing of all kinds of audits. The devices are complemented by an extensive range of accessories and variants, from reporting systems to material certificates.

Fast reaction and maintenance

With opening times of less than 50 ms, the necessary distance between the metal detector and the separator can be reduced to an absolute minimum. All components are easily accessible for maintenance work.

Easy installation and operation

The compact design allows uncomplicated retrofitting, even in confined assembly situations. The predefined standard setups allow operation in most applications without additional settings. At the same time, the clear operating structure allows the storage of further customer-specific programmes and easy handling for all users at all times.



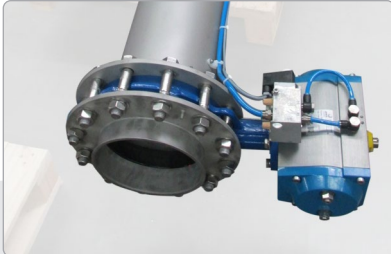
Safety for the processing of plastics

The focus of inspection systems in the plastic industry is on process monitoring. Foreign bodies made of iron, brass, aluminium or stainless steel must be removed reliably. This ranges from a brass chip trapped in granulates to a nut that threatens to damage the mill. These are a critical means of ensuring value creation in production and process quality. They can also provide valuable services in special applications, such as the testing of plastic parts, for outgoing goods.



Your wishes, our task

Solutions tailored to the customer facilitate integration, save costs and reduce introduction barriers, especially with existing product lines. This may include special feed belts, separation devices or combinations with metal detectors. We always work in dialogue with our customers in order to ensure a result that is reliable and as economical as possible. This is made possible by our competent team of employees. The essence of Mesutronic is its high affinity for creative solutions in all areas, from sales to application, mechanical and electronic development, up to production and after-sales. It is supported by modern work equipment and a process world embedded in ISO 9001.



Ready for the future? We say: Yes!

Depending on the type of electronics used, our systems can already be connected as standard via analogue signals, various bus systems or Ethernet to PLCs, process control systems or other machines in the line. With digital networking the OPC UA protocol, in addition to other protocols, is used here for the smooth transmission of operating conditions and production-critical values. Depending on the system, these basic functions can be supplemented with the mesuLINK network software, the mesuREMOTE remote maintenance tool or the mesuEXPORT reporting feature to allow full use of the potential of digitization and Industry 4.0.



No compromises, always there for you


During the entire life cycle of the inspection system, from project planning to commissioning, the productive phase until a fault occurs, a professional, agile and attentive service team decides on the ultimate effectiveness of the inspection programme installed by the customer. At Mesutronic, the customer is at the heart of everything we do in all these phases. This starts with a system concept that places functionality above yields and ends with an after-sales service for fast, reliable help that comes as standard. Our training offer is tailored to your needs and increases the competence of every level of personnel that comes into contact with our systems.




**Headquarter
Germany**

 **Mesutronic GmbH**
Hackenfeld 13
94259 Kirchberg im Wald
Germany

 +49 9927 9410 0
 sales@mesutronic.de
www.mesutronic.de



**Sales and service
USA**

 **Mesutronic Inc.**
4502 Southmark Dr.
Salisbury, NC 28147
USA

 +1 980 265 4015
 info@mesutronic.us
www.mesutronic.us



**Sales and service
France**

 **Mesutronic France SAS**
11, rue de Mittlerweg
F-68000 Colmar
France

 +33 03 89 20 43 98
 contact@mesutronic.fr
www.mesutronic.fr



You can find further international partners
on our website at www.mesutronic.de/en/contact/